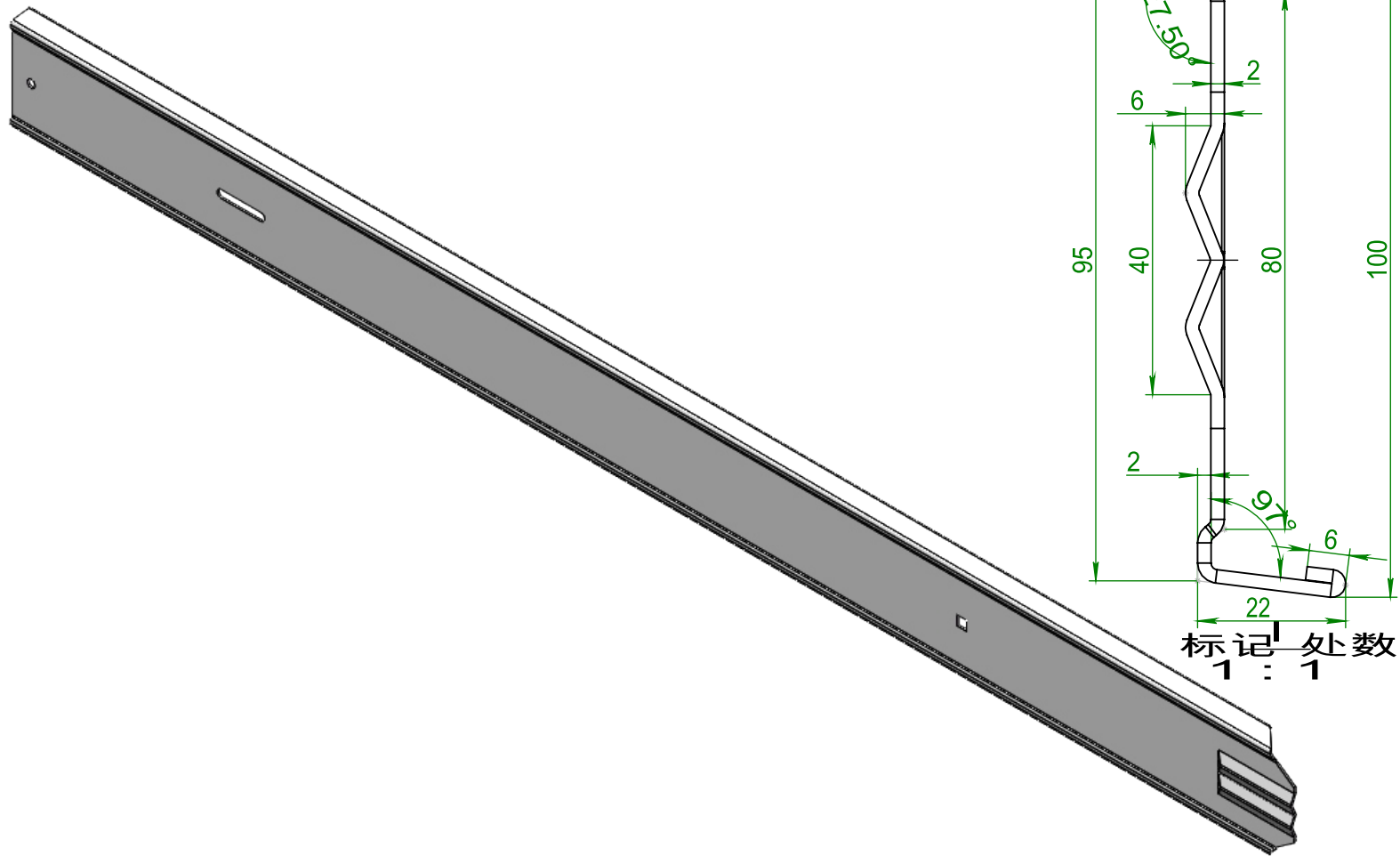
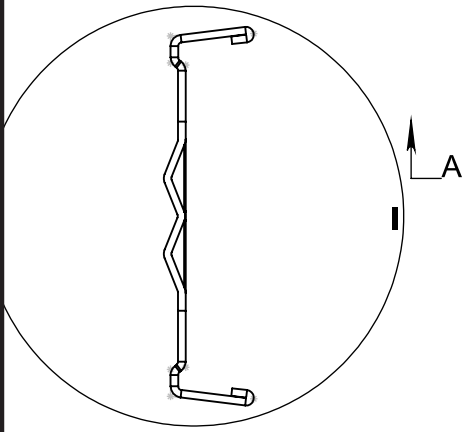
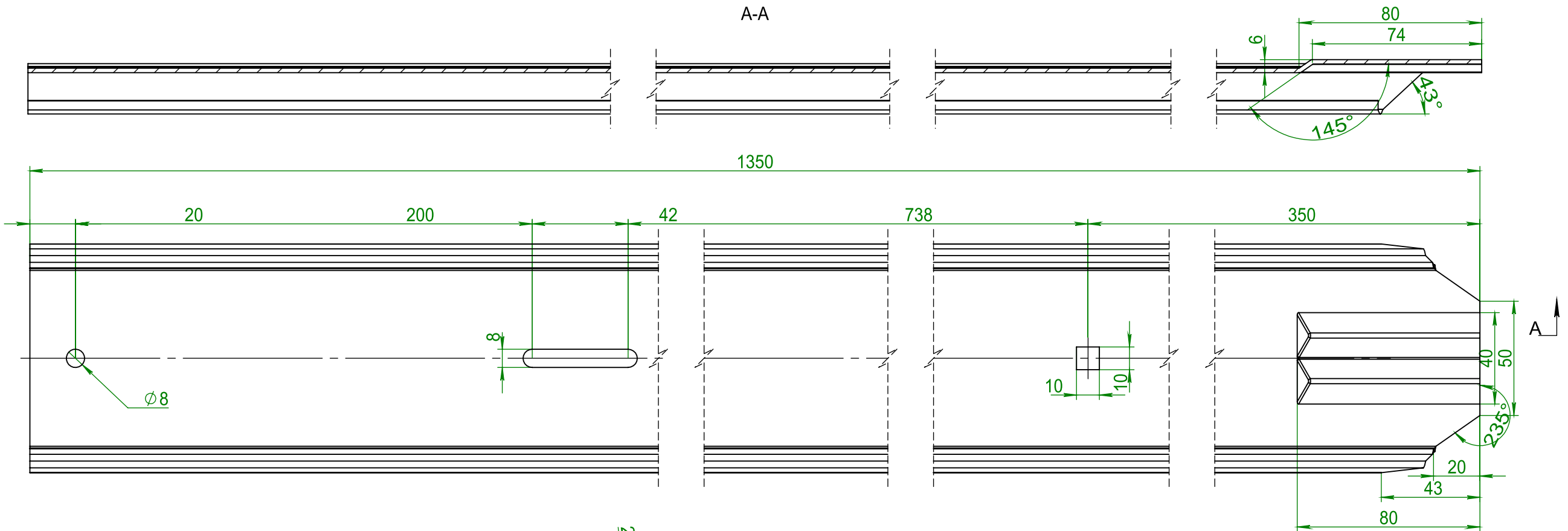


其余



A-A



Code: C12960

Product: Marker Post

Material: Metal Powder Coated Marker Post - White

Size: 100x1350mm

Attachments: 1x8mm hole, 1x10mm hole, 1x8mm slot

Lifetime Expectancy: This is made to As4680 Galvanising Standard which is used on all steel utility structures and has known to last over 100 years. Coating will deteriorate over this time. *This does depend on soil type and installation.

AU: 1800 980 182 NZ: 0800 700 300 W: www.identimark.com

Identimark